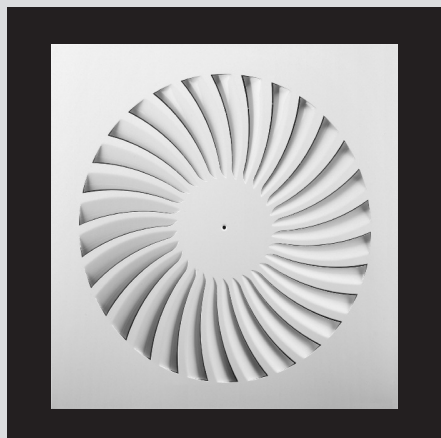


Air Diffusion

Pattern Swirl Diffusers

Model SW



SW front view

Description

The Model SW is a fixed horizontal air pattern swirl diffuser available in a square panel, suitable for mounting heights up to 4.5 metres. A temperature differential of -5 to +5K degrees between the supply air and room is recommended which together with a low static pressure drop and low noise levels are performance advantages of the diffuser.

A purpose designed top or side entry plenum box is normally supplied with the diffuser to ensure the correct air - flow onto the diffuser. The plenum box also provides a secure method of installation for the complete assembly.

The Model SW fixed pattern swirl diffuser may be used for either supply or extract and typical applications include offices, retail premises, hotels, reception areas, fitness suites and other similar areas.

Specification

Formed on a CNC press machine from sheet steel material.

Installation Methods

Square Panel Diffuser

Single countersunk screw hole in centre of panel.

When a diffuser is supplied with a plenum box, the diffuser is fixed to the plenum using a single central fixing screw. The combined plenum/diffuser assembly is supported via wires or drop rods (by others).

Size Range

Nominal square panel size: 600 x 600mm. (Actual overall size - 595 x 595mm)

See reverse for full dimensions.

Model Types

Model SW/K1: square diffuser panel having single central fixing.

Finish

Standard finish: WHITE RAL9010 (30% gloss) Polyester Powder Coat.

SW Performance Guide

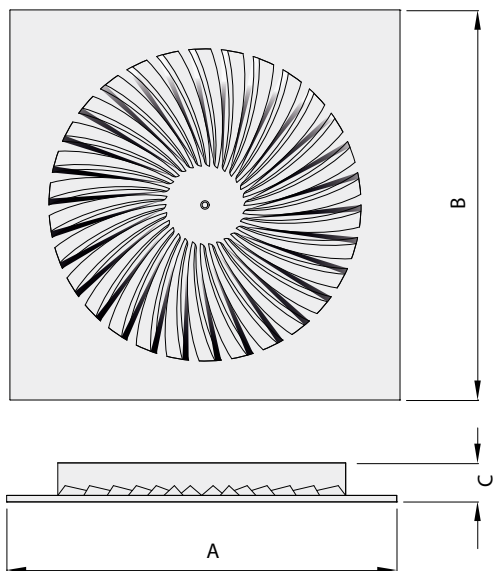
Quick Selection Table Δt -5k to +5k

SW Fixed Blade Swirl Diffuser 595 x 595mm Overall

AIR VOLUME 600 SIZE (l/s)		100	150	200	250
NR		20	25	30	35
Pa		7	13	29	46
Throw (mtrs)	Plus 5 degrees	0.9/1.5	1.2/1.9	1.6/2.3	1.9/2.6
	Plus 5 degrees	0.8/1.4	1.1/1.8	1.5/2.2	1.8/2.5
	Isothermal	0.7/1.2	1.0/1.6	1.4/2.0	1.7/2.3
	Minus 5 degrees	0.6/1.0	0.9/1.5	1.3/1.9	1.6/2.2
	Minus 5 degrees	0.5/0.9	0.8/1.4	1.2/1.8	1.5/2.1

Throw figures show throw at terminal velocity of .5m/s and .25mtrs respectively

Dimensions



Size	A x B	C
600	595 x 595	50

Ordering Information

Example

Model Type	Fixing and Panel Type	Colour Finish	Size
SW	K1	83	600
SW Fixed Pattern Swirl Diffuser	K1 – Square panel with central fixing hole	Standard Finish: 83 - White RAL9010 (30% gloss)	600

Important Note: All orders must be addressed to Air Diffusion, Ruskin Air Management Limited.

Air Diffusion
Grilles Diffusers Louvres Chilled Beams

Ruskin Air Management Limited

Stourbridge Road, Bridgnorth, Shropshire,
WV15 5BB England.

Tel: 01746 761921 Fax: 01746 760127

Email: sales@air-diffusion.co.uk

Website: www.airdiffusion.co.uk

Ruskin Air Management Limited is a ISO 9001 and 14001 registered company

The statements made in this brochure or by our representatives in consequence of any enquiries arising out of this document are given for information purposes only. They are not intended to have any legal effect and the company is not to be regarded as bound thereby. The company will only accept obligations which are expressly negotiated for and agreed and incorporated into a written agreement made with its customers.

Due to a policy of continuous product development the specification and details contained herein are subject to alteration without prior notice.